

40 V2

400mm Polyglass subwoofer



- Zamak chassis
- Polyglass cone, Butyl surround
- High power handling
- 4 layers Kapton former voice-coil



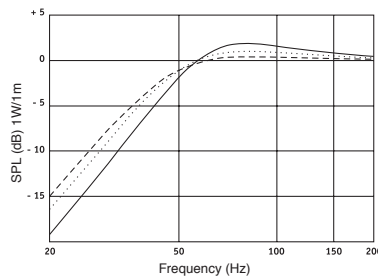
Specifications

Nominal power	400 W	
Maximum power	800 W	
Sensitivity	93 dB	
Cone	Polyglass	
Surround	Butyl	
Nom. impedance	2 x 4 ohms	
DC resistance	2.1 ohms	
VC diameter	65 mm	2 ^{9/16} in
VC height	32 mm	1 ^{1/4} in
Former	Aluminium	
Layers	4	
Wire	Copper	
Inductance	1.26 mH	
Xmax	11 mm	
Magnet d x h	155 x 40 mm	6 ^{1/8} x 1 ^{9/16} in
Magnet weight	6400 g	14.1 lb
Flux density	0.9 T	
Gap height	10 mm	3/8 in
Net weight	8.8 kg	19.4 lb

Suggested Application

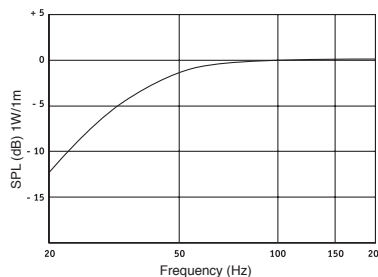
Sealed enclosure

- 30 liters (1.06 cu. ft.)
F - 3 = 42.3Hz / **Fast and tight bass**
- 40 liters (1.41 cu. ft.)
F - 3 = 40.2Hz / **Punchy and dynamic bass**
- 50 liters (1.77 cu. ft.)
F - 3 = 39.1Hz / **Deep and articulate bass**



Free-air

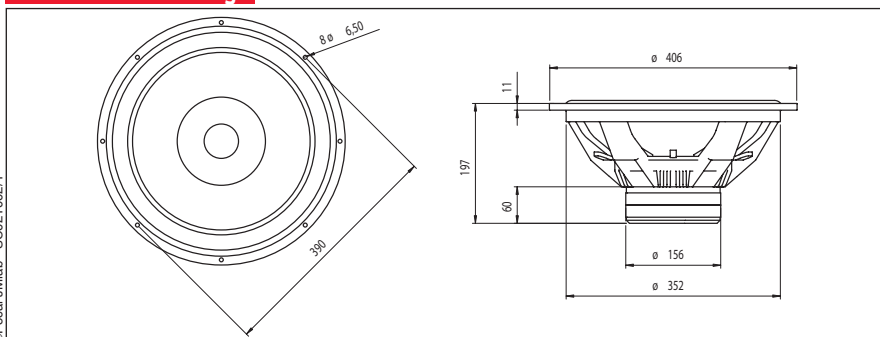
- F - 3 = 40Hz / **Deep and articulate bass**



Parameters

Fs	28.10 Hz	
Vas	153.72 l	5.429 Ft ³
Qts	0.493	
Qes	0.560	
Qms	4.140	
Re	2.1 ohms	
Sd	865.70 cm ²	134.18 in ²
Cas	1.09E-06 m ⁵ /N	
Mas	29.31 kg/m ⁴	
Ras	1249.98 ohms.ac	
Cms	1.46E-04 m/N	
Mms	219.66 g	0.48 lb
Rms	9.368 Kg/s	
Ces	1510.37 mF	
Les	21.24 mH	
Res	15.53 ohms	
Bl	12.06 N/A	
SPL	89.69 dB/W/m	

Mechanical Drawing



Suggested application

Load	V (l)	Fb (Hz)	F-3 (Hz)	Ql
Vented	-	-	-	-
Sealed	-	-	-	-

Focal® is a trademark of Focal-JMLab®