

# 130 V1

## 5" Polyglass woofer



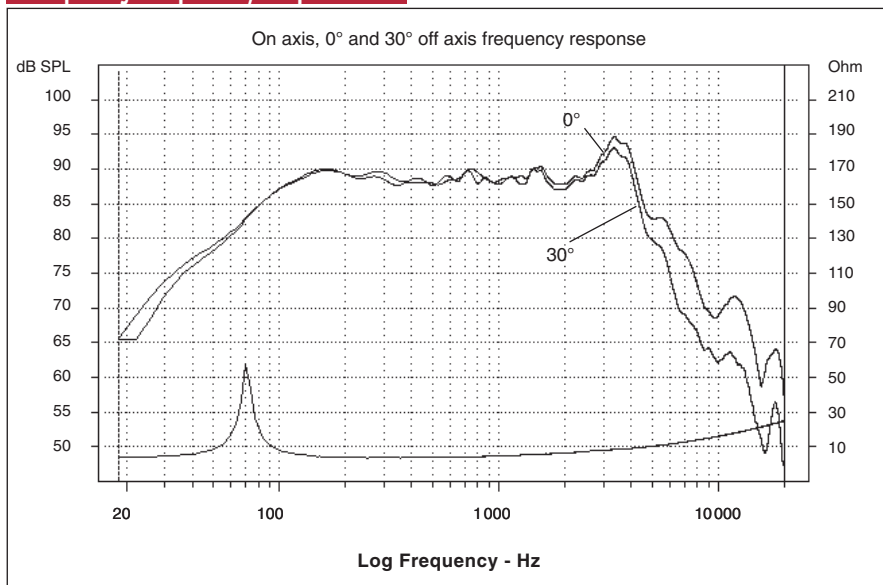
- Polyglass cone
- 80% ABS / 20% fiberglass basket
- Butyl surround



### Specifications

Nominal power	60 W	
Maximum power	120 W	
Sensitivity (2.83V/m)	91 dB	
Cone	Polyglass	
Surround	Butyl	
Nom. impedance	4 ohm	
DC resistance	3.3 ohm	
VC diameter	25 mm	1 in
VC height	10 mm	0.4 in
Former	Kapton®	
Layers	2	
Wire	Copper	
Inductance	0.18 mH	
Xmax	2.5 mm	0.1 in
Magnet (dxh)	85 x 15 mm	3.35 x 0.59 in
Magnet weight	300 g	0.66 lb
Flux density	0.95 T	
Gap height	5 mm	0.20 in
Net weight	850 g	1.87 lb

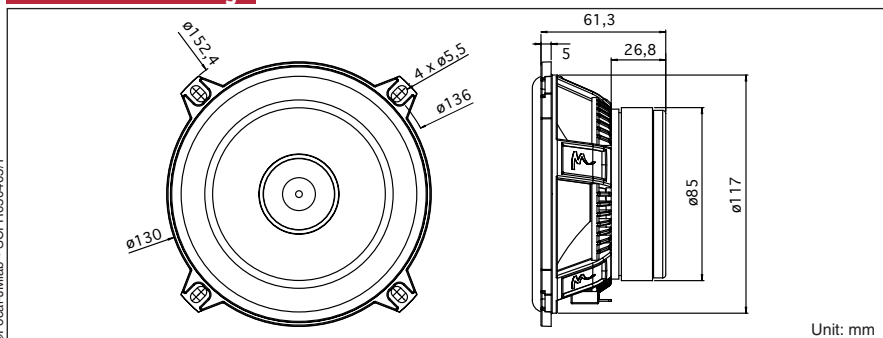
### Frequency Response / Impedance



### Parameters

Fs	68.68 Hz	
Vas	5.4 l	0.19 Ft³
Qts	0.662	
Qes	0.70	
Qms	12.18	
Re	3.3 ohm	
Sd	86.59 cm²	13.42 in²
Cas	3.84E-08 m⁵/N	
Mas	139.77 kg/m⁴	
Ras	4952.07 ohm.ac	
Cms	5.12E-04 m/N	
Mms	10.48 g	0.022 lb
Rms	371 g/s	
Ces	491.56 mF	
Les	10.92 mH	
Res	57.42 ohm	
BI	4.62 N/A	
SPL	85.82 dB/W/m	

### Mechanical Drawing



©Focal-JMLab - SCFR05040571

### Suggested application

Sealed	F-3 (Hz)	QI
30 l	73	7

Focal® is a trademark of Focal-JMLab®