

46 KX 4

460 mm K2 Power® subwoofer



- 4 voice coil
- Multiferrites magnet
- Aluminium basket
- For bass reflex box
- High output level

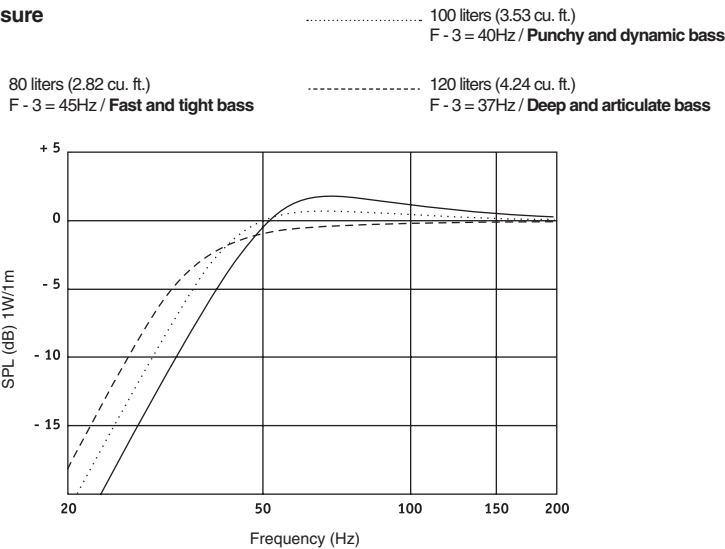


Specifications

Nominal power	1000 W	
Maximum power	2000 W	
Sensitivity	96.5 dB	
Cone	K2 Composite Sandwich®	
Surround	High density foam	
Nom. impedance	4 ohms (4 x 1)	
DC resistance	4.2 ohms (4 x 1.05)	
VC diameter	77 mm	3.03 in
VC height	30 mm	1.18 in
Former	aluminium	
Layers	8	
Wire	Copper	
Inductance	3 mH (in series)	
Xmax	10 mm	0.39 in
Magnet d x h (18)	75 x 15 mm	2.95 x 0.59 in
Magnet weight	8100 g	17.86 lb
Flux density	0.9 T	
Gap height	10 mm	0.039 in
Net weight	17 kg	37.47 lb

Suggested Application

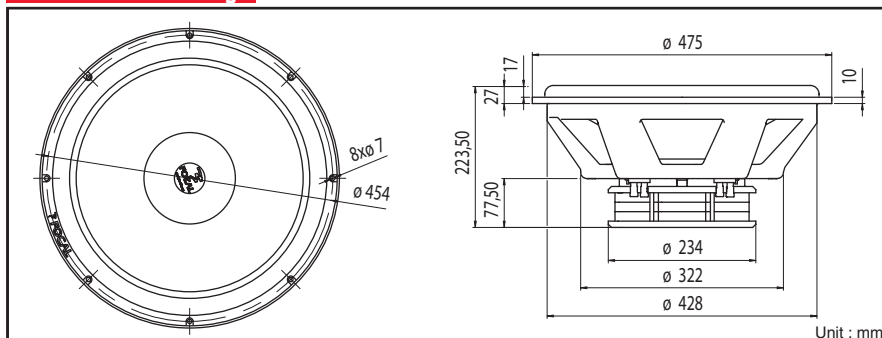
Vented enclosure



Parameters

Fs	29.4 Hz	
Vas	206.31 l	7.66 Ft ³
Qts	0.345	
Qes	0.37	
Qms	5.05	
Re	4.2 ohms (in series)	
Sd	1320.25 cm ²	204.63 in ²
Cas	1.47E-06 m ⁵ /N	
Mas	19.95 kg/m ⁴	
Ras	729.77 ohms.ac	
Cms	8.43E-05 m/N	
Mms	347.75 g	0.76 lb
Rms	12.72 kg/s	
Ces	476.9 mF	
Les	61.45 mH	
Res	57.32 ohms	
BI	27 N/A (in series)	
SPL	93.35 dB/W/m	

Mechanical Drawing



Suggested application

Load	V (l)	Fb (Hz)	F-3 (Hz)	QI
Vented	80	45	45	7
Vented	100	34	41	7
Vented	120	28	38	7

Focal® is a trademark of Focal-JMLab®