

27 KX

270 mm K2 Power® subwoofer



- Multiferrites magnet
- Zamak basket
- For closed box
- High power handling

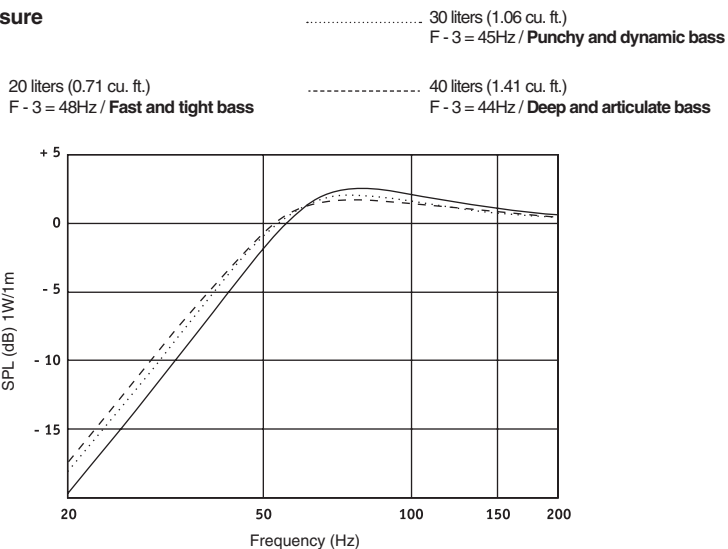


Specifications

Nominal power	300 W	
Maximum power	600 W	
Sensitivity	88 dB	
Cone	K2 Composite Sandwich®	
Surround	Butyl	
Nom. impedance	4 ohms	
DC resistance	4.6 ohms	
VC diameter	65 mm	2.55 in
VC height	26 mm	1.02 in
Former	Kapton®	
Layers	1	
Wire	Flat Copper	
Inductance	1.9 mH	
Xmax	9 mm	0.35 in
Magnet d x h (12)	60 x 14 mm	2.36 x 0.55 in
Magnet weight	2106 g	4.66 lb
Flux density	0.9 T	
Gap height	8 mm	0.3 in
Net weight	7.2 kg	15.87 lb

Suggested Application

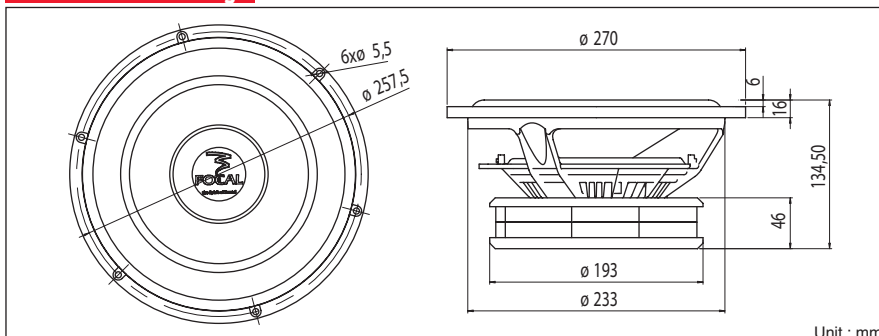
Sealed enclosure



Parameters

Fs	48 Hz	
Vas	14.92 l	0.53 Ft ³
Qts	0.908	
Qes	0.97	
Qms	14.19	
Re	4.6 ohms	
Sd	314.16 cm ²	48.7 in ²
Cas	1.06E-07 m ⁵ /N	
Mas	102.23 kg/m ⁴	
Ras	2186.43 ohms.ac	
Cms	1.08E-04 m/N	
Mms	100.9 g	0.22 lb
Rms	2158 g/s	
Ces	694.84 mF	
Les	15.63 mH	
Res	67.29 ohms	
BI	12.05 N/A	
SPL	84.23 dB/W/m	

Mechanical Drawing



Suggested application

Load	V (l)	Fb (Hz)	F-3 (Hz)	Ql
Sealed	20	-	48	7
Sealed	30	-	45	7
Sealed	40	-	44	7

Focal® is a trademark of Focal-JMLab®